

Type N F/F Coaxial RF Surge Protector, 1.5MHz - 700MHz, DC Block, 2kW, 3.5mJ, 50kA, Blocking Cap, Bracket Up, Hole Mount



IS-50NX-C0

Features

- Surge current of 50kA
- Max Power 2kW
- Frequency range from 1.5 MHz to 700 MHz
- N Female to N Female connectors
- VSWR <1.1:1
- Multi-strike capability
- CE & RoHS compliant

Applications

- HF, UHF and VHF radios
- Ham radios
- Remote industrial monitoring

Description

RF surge protector (also known as lightning arrester or surge arrester) IS-50NX-C0 from PolyPhaser, integrating a RF blocking capacitor with a gas tube (GT or GDT). This RF surge protector component is manufactured in a coaxial in-line design with wide operating frequency range. All PolyPhaser RF surge protector products are available in stock with same day shipping.

Electrical Specifications

Surge Protector Type
DC Handling

Blocking Cap and Gas Tube
DC Block

Description	Minimum	Typical	Maximum	Units
Frequency Range	1.5		700	MHz
Impedance		50		Ohms
VSWR			1.1:1	
Insertion Loss			0.1	dB
Input Power, CW			2	kWatts
2kW @ 1.5 to 50MHz				
375W @ 50 to 220MHz				
125W @ 220 to 700MHz				
Surge Current			50	kA
IEC 61000-4-5 8/20μs WAVEFORM				
Turn On Voltage		600 ±20%		Volts
Throughput Energy			3.5	mJ
@ 3kA 8/20μs WAVEFORM				

Click the following link (or enter part number in "SEARCH" on website) to obtain additional part information including price, inventory and certifications:
[Type N F/F Coaxial RF Surge Protector, 1.5MHz - 700MHz, DC Block, 2kW, 3.5mJ, 50kA, Blocking Cap, Bracket Up, Hole Mount IS-50NX-C0](#)

Type N F/F Coaxial RF Surge Protector, 1.5MHz - 700MHz, DC Block, 2kW, 3.5mJ, 50kA, Blocking Cap, Bracket Up, Hole Mount



IS-50NX-C0

Mechanical Specifications

Size

Length	2.45 in [62.23 mm]
Width/Diameter	1.75 in [44.45 mm]
Height	1.5 in [38.1 mm]
Weight	0.35 lbs [158.76 g]

Configuration

Input Connector	N Female
Output Connector	N Female

Environmental Specifications

Temperature

Operating Range	-50 to +50 deg C
Storage Range	-55 to +85 deg C

Ingress Protection (IP) Rating	None
Vibration	1G @ 5Hz to 100Hz

Compliance Certifications

RoHS
CE

Plotted and Other Data

Notes:

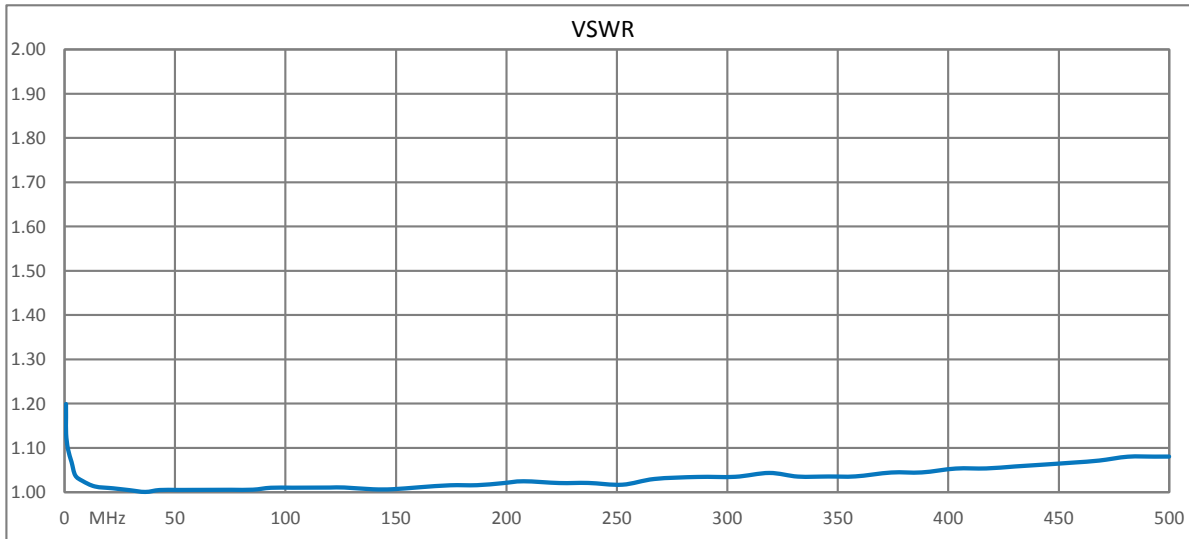
Click the following link (or enter part number in "SEARCH" on website) to obtain additional part information including price, inventory and certifications:
[Type N F/F Coaxial RF Surge Protector, 1.5MHz - 700MHz, DC Block, 2kW, 3.5mJ, 50kA, Blocking Cap, Bracket Up, Hole Mount IS-50NX-C0](#)

Type N F/F Coaxial RF Surge Protector, 1.5MHz - 700MHz, DC Block, 2kW, 3.5mJ, 50kA, Blocking Cap, Bracket Up, Hole Mount



IS-50NX-C0

Typical Performance Data



Click the following link (or enter part number in "SEARCH" on website) to obtain additional part information including price, inventory and certifications:
[Type N F/F Coaxial RF Surge Protector, 1.5MHz - 700MHz, DC Block, 2kW, 3.5mJ, 50kA, Blocking Cap, Bracket Up, Hole Mount IS-50NX-C0](#)

Type N F/F Coaxial RF Surge Protector, 1.5MHz - 700MHz, DC Block, 2kW, 3.5mJ, 50kA, Blocking Cap, Bracket Up, Hole Mount



IS-50NX-C0



PolyPhaser protects and increases the reliability of global RF communications networks, including transportation, telecommunications, defense, security and industrial applications, with superior RF surge protection technologies including DC Block, DC Pass and Ultra Low PIM. Backed by responsive service and expert technical support PolyPhaser continually expands its product offering and services to serve engineers' urgent needs for RF components in mission critical communication networks.

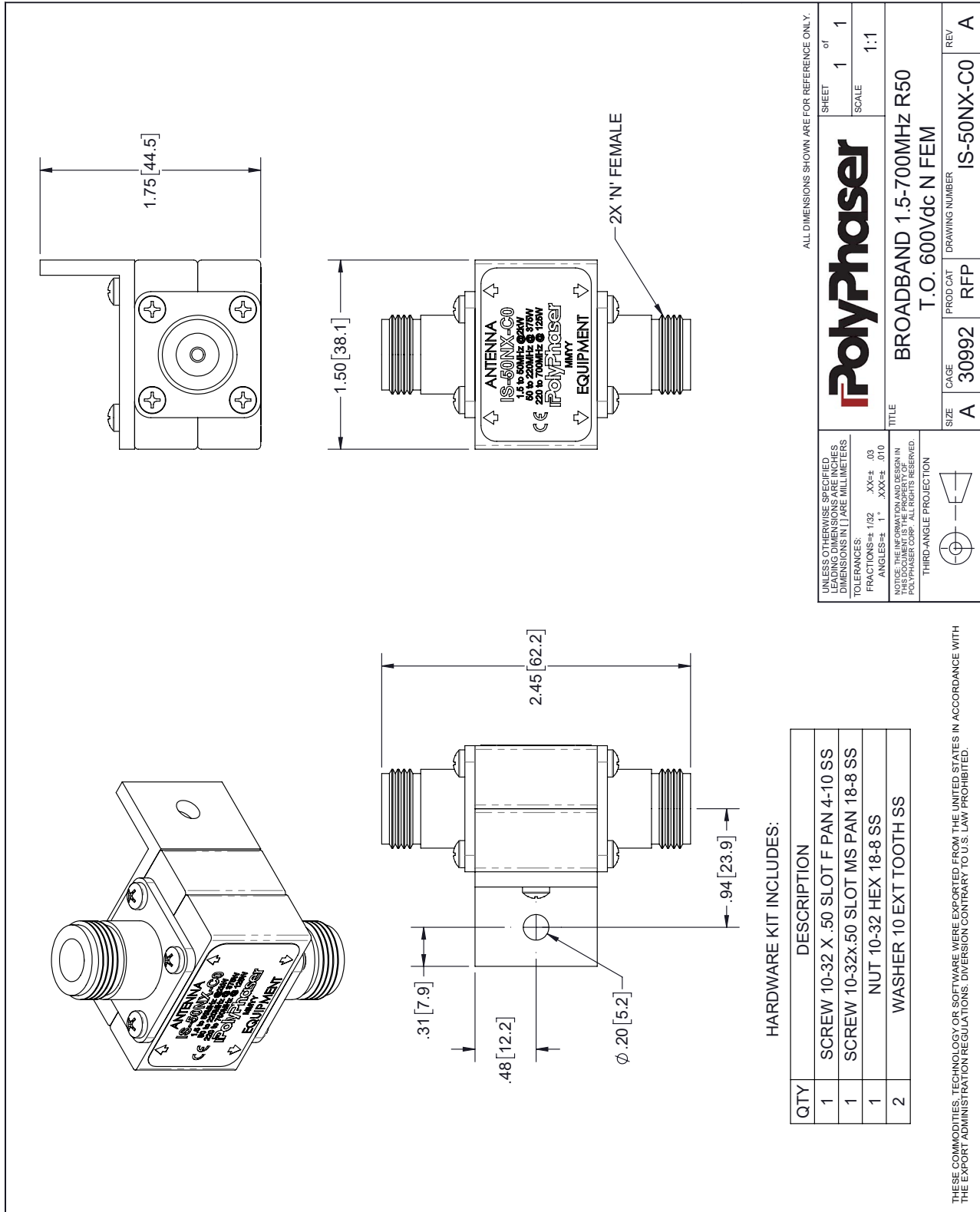
Click the following link (or enter part number in "SEARCH" on website) to obtain additional part information including price, inventory and certifications: [Type N F/F Coaxial RF Surge Protector, 1.5MHz - 700MHz, DC Block, 2kW, 3.5mJ, 50kA, Blocking Cap, Bracket Up, Hole Mount IS-50NX-C0](#)

URL: <https://www.polyphaser.com/type-n-surge-protector-700mhz-blocking-cap-gas-tube-is-50nx-c0-p.aspx>

The information contained in this document is accurate to the best of our knowledge and representative of the part described herein. It may be necessary to make modifications to the part and/or the documentation of the part, in order to implement improvements. PolyPhaser reserves the right to make such changes as required. Unless otherwise stated, all specifications are nominal. PolyPhaser does not make any representation or warranty regarding the suitability of the part described herein for any particular purpose, and PolyPhaser does not assume any liability arising out of the use of any part or documentation.

Type N F/F Coaxial RF Surge Protector, 1.5MHz - 700MHz, DC Block, 2kW, 3.5mJ, 50kA, Blocking Cap, Bracket Up, Hole Mount

IS-50NX-C0 CAD Drawing



HARDWARE KIT INCLUDES:

QTY	DESCRIPTION
1	SCREW 10-32 X .50 SLOT F PAN 4-10 SS
1	SCREW 10-32X.50 SLOT MS PAN 18-8 SS
1	NUT 10-32 HEX 18-8 SS
2	WASHER 10 EXT TOOTH SS

THESE COMMODITIES, TECHNOLOGY OR SOFTWARE WERE EXPORTED FROM THE UNITED STATES IN ACCORDANCE WITH THE EXPORT ADMINISTRATION REGULATIONS. DIVERSION CONTRARY TO U.S. LAW PROHIBITED.

ALL DIMENSIONS SHOWN ARE FOR REFERENCE ONLY.

UNLESS OTHERWISE SPECIFIED LEADING DIMENSIONS ARE INCHES DIMENSIONS IN [] ARE MILLIMETERS TOLERANCES: FRACTIONS ± 1/32 .XX± .03 ANGLES ± 1° .XXX± .010 THIRD-ANGLE PROJECTION		
	NOTICE: THE INFORMATION AND DESIGN IN THIS DRAWING IS THE PROPERTY OF POLYPHASER CORP. ALL RIGHTS RESERVED.	
BROADBAND 1.5-700MHz R50 T.O. 600Vdc N FEM		
SIZE	CAGE	PROJ CAT
A	30992	RFP
DRAWING NUMBER		REV
IS-50NX-C0		A
SHEET	of	
1	1	
SCALE		
		1:1