

# 1800MHz Digital Pico Repeater

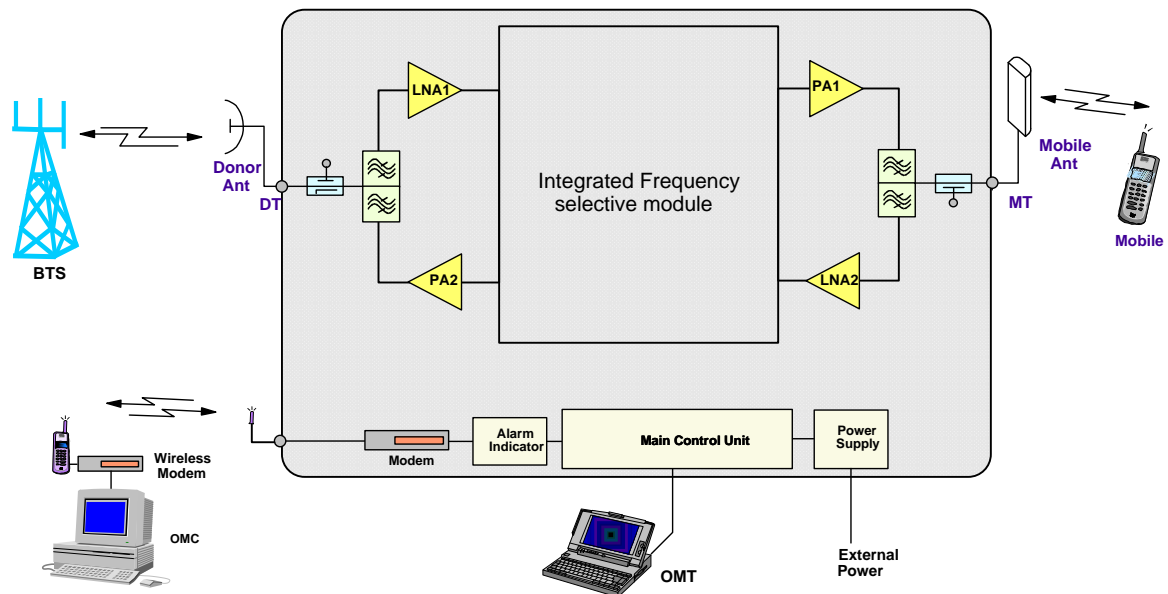
## MP-1832

### Features

- Bandwidth adjustable for both downlink and uplink.
- Max. 2 pass band segments with independent ON/OFF for maximum flexibility.
- 15dBm/17dBm/20dBm total output power.
- Option for single band, dual band or tri-band.
- Offline isolation detection for easy commissioning.
- Low noise amplifier improves system noise figure for better voice quality and reduced drop call.
- Highly integrated design with miniaturized enclosure, small size, light weight and easy to install.
- Includes Modem for remote monitoring (option).
- Compatible to Comba generic OMT and CMS platform.



### Functional Block Diagram



## Specifications

<b>Electrical</b>		<b>15dBm</b>	<b>17dBm</b>	<b>20dBm</b>
Operating Frequency, Uplink	MHz	1710-1785		
Operation Frequency, Downlink	MHz	1805-1880		
Instantaneous Bandwidth	MHz	50		
Operating Bandwidth Per Sub-band	MHz	0.2-25*		
Number of Sub-bands		2		
Total Output Power, Uplink	dBm	15	15	17
Total Output Power, Downlink	dBm	15	17	20
Maximum System Gain	dB	75		
Attenuation Adjustment Range (1dB step)	dB	0-30		
ALC Range	dB	≥ 30		
Pass Band Ripple at FBW, p-p	dB	≤ 4		
Uplink Noise Figure	dB	≤ 7		
System Group Delay	μsec	≤ 7		
Spurious Emission Mask		Compliance with 3GPP TS 36.106		
Intermodulation				
EVM				
Absolute Maximum RF input power	dBm			
Input VSWR		≤ 1.8		
Impedance	Ω	50		
<b>Mechanical</b>				
Dimensions, W x H x D	mm	198 x 78 x 43		
Weight (approx.)	kg	0.5		
External Power Supply Unit	Input	VAC	100-240/50-60Hz	
	Output	VDC	12	
Power Consumption	W	14		
Enclosure Cooling		Convection		
Connectors		SMA-Female		
Operating Temperature	°C	-20 to +45		
Operating Humidity		≤ 85%		
Environmental Class		IP40		
MTBF	hr	≥ 50,000		
Remote Monitoring (option)		Built in WCDMA Modem		

Note: Typical specification at room temperature

\*: GSM Max. Bandwidth 25MHz, LTE Max. Bandwidth 20MHz